

## LD46-C1

Recessed Wall Light

Install sheet - Page 1

### SPECIFICATION

LED recessed luminaires are class III for Safety Extra Low Voltage supply **350mA** to **700mA** constant current supply.

**Suitable for mounting on normally flammable surfaces.**

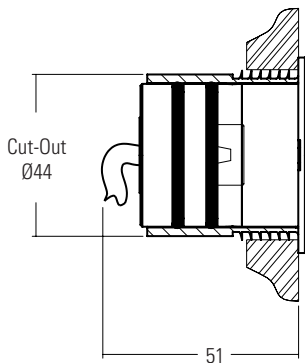
Lamp: **C1 LED Engine.**

This fitting is **IP65** rated.

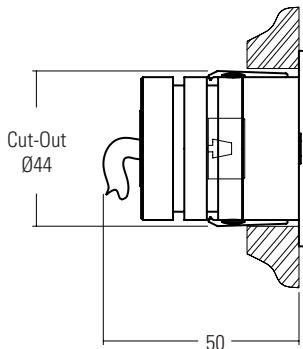
Lumen Maintenance: L90B5 at 90,000hrs.

LD46-C1	
Product & LED Output Code	Power Output
LD46-C1 - 350	350mA 1.2W
LD46-C1 - 500	500mA 1.7W
LD46-C1 - 700	700mA 2.4W

**/476**  
Fixing Sleeve



**/SC**  
Spring Clips



### INSTALLATION

1. Bore clearance holes to suit dimensions below.

2. Wire the luminaire to a specified driver.

NOTE: Connections in wet environments. Make IP68 connection to stop water travelling up the cables into the fittings! Refer to IP connection sheet for further details.

3. When installing /476 Fixing Sleeve, adhesive can be applied to the fins if required to stop ingress of water. Recommended adhesives are; Rotabond 2000, 3M 4200 Marine Adhesive or Simson MSR Construction Adhesive.

4. Before installing fitting make sure they are free from dirt and grit.

5. When using /SC Spring Clips, squeeze mounting springs into body with finger and thumb.

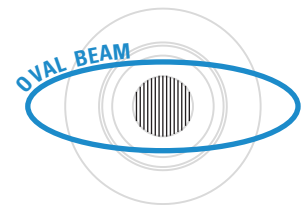
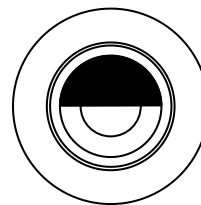
6. Push in the luminaire into the cut-out hole until flush with surface.

7. When installing LD56 with an OB lens fitted, rotate the fitting using a grippy pair of gloves to orientate it.

8. When fitted with a /GS Glare Shield, orientate the fitting with a grippy pair of gloves, so that the shield is horizontal to the floor or wall surface.

**/GS**  
Glare Shield

**/OB**  
Oval Beam Orientation



Wall/Lit Surface

### SEE CONSTANT CURRENT WIRING SHEET FOR IN SERIES WIRING DIAGRAM

#### WIRING

Do not power up until fitting is wired correctly! Constant current LEDs must be wired in series, polarity is critical. Please refer to specified driver sheet for details on the minimum and maximum number of LEDs per circuit.

#### IMPORTANT

Make sure that all cables and connections are securely connected before switching on the power. Failing to do this can lead to failure of the LEDs and/or the driver. If the LEDs do not work upon power up, turn off the power source immediately and check the polarity of the wiring. Any attempt made to open up and/or modify the luminaire will invalidate the manufacturers warranty. This is inclusive of but not limited to removal of the LightGraphix product label or removal of any parts from the main body of the product including bezels, electrical components and factory fitted fixing methods (unless otherwise stated in these instructions) as well as any alterations or additions that could have a negative impact on the thermal stability of the fitting.

#### MAINTENANCE

This luminaire contains a light source that should only be replaced by a qualified professional. In some cases this may need to be done at our manufacturing facility. Please contact LightGraphix or your local representative to discuss available options.

Clean with soft damp cloth.

O-ring replacement part: 17.0010.



CABLE COLOUR & POLARITY		
Colour of Cable	Red	Black
Materials	+	-